

## Technical Information

No. DO 6091

Edition: 05/21

Supstitutes: 07/16

Status: valid

Metal Halide Lamp

# HMI® 4000 W/DXS SOLAR

### ■ Product description

The OSRAM HMI® 4000 W is a double-ended metal halide lamp. Its funnel shaped burner is especially designed for super quiet operation on electronic power supplies. Due to the optimized spectrum it is especially applicable for Solar simulation.

### ■ Technical data

Order reference	HMI® 4000 W	
Rated lamp wattage	W	4200*
Rated lamp voltage	V	200,5*
Rated lamp current (~)	A	23,8*
Ignition voltage (cold / hot)	kV <sub>s</sub>	5 / 65
Luminous flux	lm	398 000*
Luminous efficacy	lm/W	95
Color temperature	K	7 000
Color rendering index	Ra	> 90*
Light Center Length a	mm	170
Lamp length (overall) l <sub>1</sub>	mm	max. 405
Lamp length l <sub>2</sub>	mm	340
Bulb diameter d	mm	max. 40,5
Light arc length e	mm	35
Average service life	h	500
Base	SFa 21-12	

\* Operated by CCG May&Christe HMI 4000W-05.2H

### ■ Lamp operation

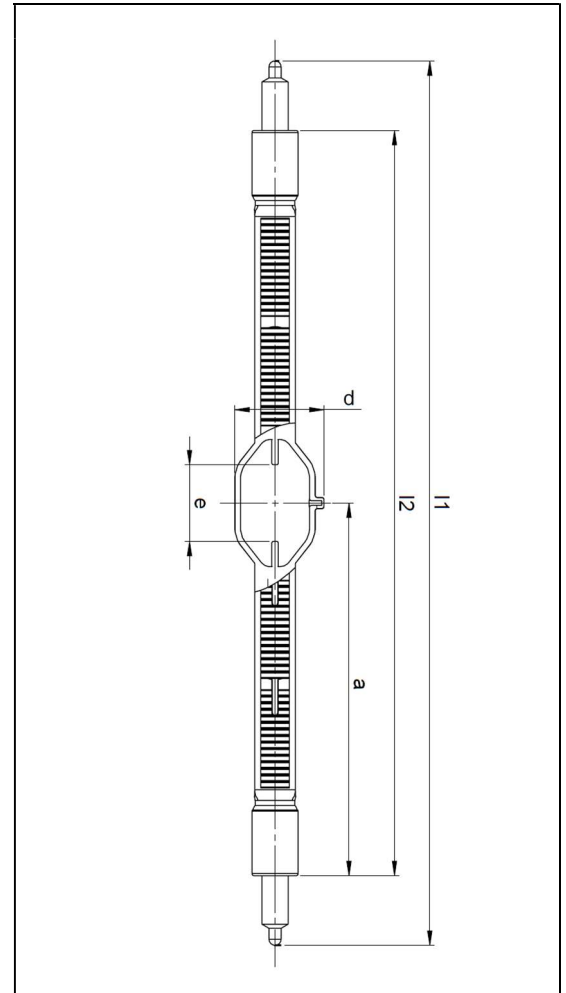
Maximum permissible pinch temperature	°C	450
Cooling	Convection	
Burning position	horizontal ± 15°, p15	

The HMI® 4000 W can either be operated on standard ballasts or on electronic power supplies (ECG).

### ■ Manufacturers of igniters and control gear (not all officially approved by OSRAM)

Igniters:	I.R.E.M. AD-3065, sAD-3065; Bauch 276, 940
Ballasts:	ARRI L2.75839.0; I.R.E.M. BC-4000; LTM 501 701; May&Christe HMI 4000W-05.2H Lumo UB 4 KW, 510-054; RDS BU-4000 EP
ECGs:	ARRI L2.76135.F; B&S EB 4000C; DE SISTI DEB 4000; I.R.E.M. EB-4000, sEB-4000; LTM 501 530; Sansha SG-4000, Super 4KW; Strand 65 209 760; Lightmaker T.L. 4000

Further information on operating and control gears requirements is available with the OSRAM brochure "Guidelines for Control Gear and Igniters - Metal Halide Lamps Photo Optics", order reference 123T01E.



**OSRAM**